


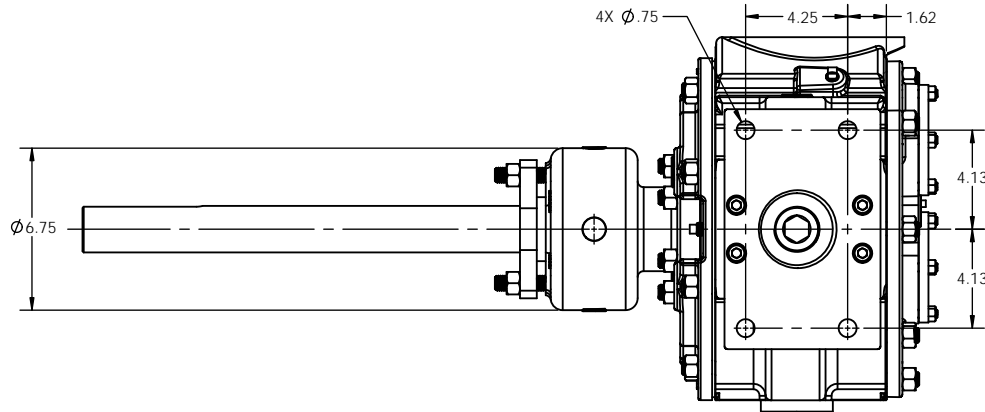
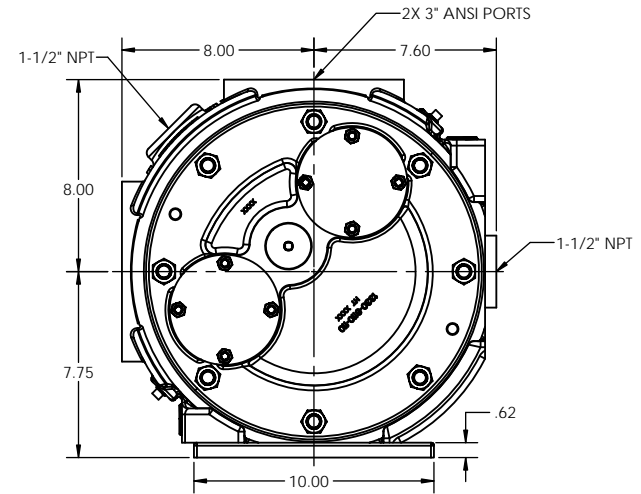
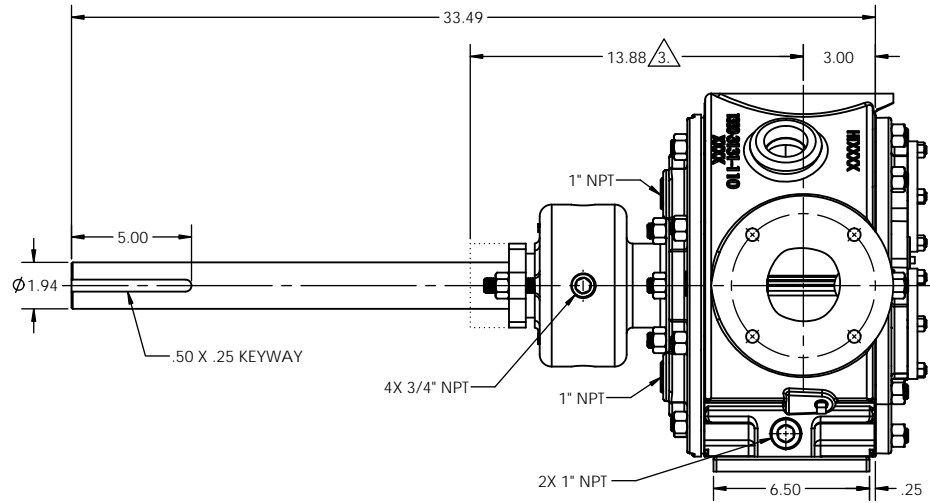
REV	DESCRIPTION
A	RELEASED INTO PRODUCTION SEE ECN #GRT000022

NOTES: UNLESS OTHERWISE SPECIFIED

1. DIMENSIONS AND TOLERANCES PER ASME Y14.5M-1994.
2. * INDICATES DIMENSIONS AND/OR FEATURES MODIFIED ON CURRENT REV LEVEL.

 MINIMUM DIMENSION FOR REPACKING.

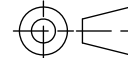
THIS DRAWING DOES NOT SHOW DETAILS OF ALL OPTIONS AND ACCESSORIES





THIS DOCUMENT CONTAINS PROPRIETARY INFORMATION OF PSG - A DOVER COMPANY. ITS RECEIPT AND POSSESSION DO NOT CONVEY ANY RIGHTS TO REPRODUCE OR DISCLOSE ITS CONTENTS OR TO MANUFACTURE USE OR SELL ANYTHING IT MAY DESCRIBE. THIS DOCUMENT IS SUBJECT TO RETURN UPON REQUEST. REPRODUCTION, DISCLOSURE OR USE OF THIS DOCUMENT WITHOUT THE WRITTEN AUTHORIZATION OF DOVER CORPORATION IS STRICTLY FORBIDDEN.

DO NOT SCALE DRAWING
UNLESS OTHERWISE SPECIFIED
DIMENSIONS ARE IN INCHES
TOLERANCES ARE:
DECIMALS .XX ± -
.XXX ± -

THIRD ANGLE PROJECTION



DRAWN BY CJL	DATE 2017-12-13
APPROVED BY BKW	DATE 2017-12-15

		ENVIROGEAR® PUMPS 22069 VAN BUREN STREET GRAND TERRACE, CA 92313 USA 909 422-1731 WWW.ENVIROGEARPUMP.COM
TITLE PUMP ASSEMBLY, DIMENSIONAL		
V2-133, NON-JACKETED HEAD, NO PRV		
SIZE C	DRAWING NO. LM0054	REV. A
SCALE 1:4	SHEET 1 OF 1	