



## HydroMinder Model 562GB

### **PACKAGE CONTAINS:**

1. Proportioner including siphon breaker
2. Bracket for mounting
3. Float with chain
4. Supply tube with foot valve - 2.75m.
5. Discharge tube assembly - 600mm
6. Metering tip kit
7. Product information sheet

### **INSTALLATION:**

1. Select a metering tip (see next section) and install it into the suction stub on the eductor body.
2. Attach the end of the discharge tube with the clamp and flooding ring to the discharge barb on the eductor.
3. Mount the unit in a level position on the side of a reservoir. If necessary, reposition or remove the mounting bracket.
4. Insert foot valve end of suction tube into concentrate container. Cut the tube to the length required so that the tube reaches just to the bottom of the concentrate container. (The level of concentrate in the container must be below the discharge point of the installed unit, or the HydroMinder will continue to siphon concentrate after it is turned off.)
5. Slide the open end of the suction tube over the suction stub.
6. Adjust chain length to position float at the desired highest level of solution. To prevent foaming, make sure that the point of discharge will be below the solution level at its lowest point.  
NOTE: HydroMinder Model 562GB is designed to shut off slowly to help reduce water hammer. Please take this into account when setting the high water level to prevent inadvertent tank overflow. Ensure float mechanism is not hampered by water turbulence caused by discharging solution. It may be necessary to baffle the float from the discharge in order for the unit to work correctly.
7. Install minimum 19mm ID hose to the HydroMinder valve. Minimum 1.8 Bar pressure (**with water flowing**) is required at valve inlet.

**NOTE: Maximum water temperature 48 degrees centigrade (120 degrees fahrenheit).**

### **OPERATION:**

Open the water supply valve. When the solution in the reservoir reaches the level set by the float, the valve will close. This will stop the water flow and siphoning of concentrate. When withdrawal of solution from the reservoir causes the level to drop, the valve will open and the reservoir will be refilled to the previous level. This cycle will be repeated automatically until the supply of concentrate is depleted. The water supply valve should be **fully closed** when changing metering tips, when reservoir is drained, or when the unit is not in use.

**METERING TIP SELECTION:**

Because dilutions vary with application and situation, always test your actual, achieved dilution using the Measurement of Concentration procedure on the next page. Use the chart below as a **guideline** to tip selection when product concentrate is of water-thin viscosity. Two undrilled, clear tips are supplied for drilling sizes not listed.

Tip Colour	Nominal Diameter	Approx. Dilution Ratio at 2.86 Bar, Water-thin Viscosity (1.0 cp)	For reference:Ounces/gallon
No tip	Open connector	6.5:1	
Grey	.128	12:1	
Black	.098	20:1	8:1 = 16 oz./gal.
Beige	.070	38:1	
Red	.052	68:1	16:1 = 8 oz./gal.
White	.043	95:1	
Blue	.040	105:1	32:1 = 4 oz. gal.
Tan	.035	130:1	
Green	.02	180:1	64:1 = 2 oz./gal.
Orange	.025	270:1	
Brown	.023	310:1	128:1 = 1 oz./gal
Yellow	.020	380:1	
Purple	.014	610:1	256:1 = ½ oz./gal.
Pink	.010	1200:1	

**MEASUREMENT OF CONCENTRATION:**

You can determine the dispensed water-to-product ratio for any metering tip size and product viscosity. All that is required is to operate the primed dispenser for a minute or so and note two things: the amount of dispensed water/product mixture, and the amount of concentrate used in preparation of the solution dispensed. The water-to-product ratio is then calculated as follows:

$$\text{Dilution (X)} = \frac{\text{Amount of Mixed Solution} - \text{Amount of Concentrate Drawn}}{\text{Amount of Concentrate Drawn}}$$

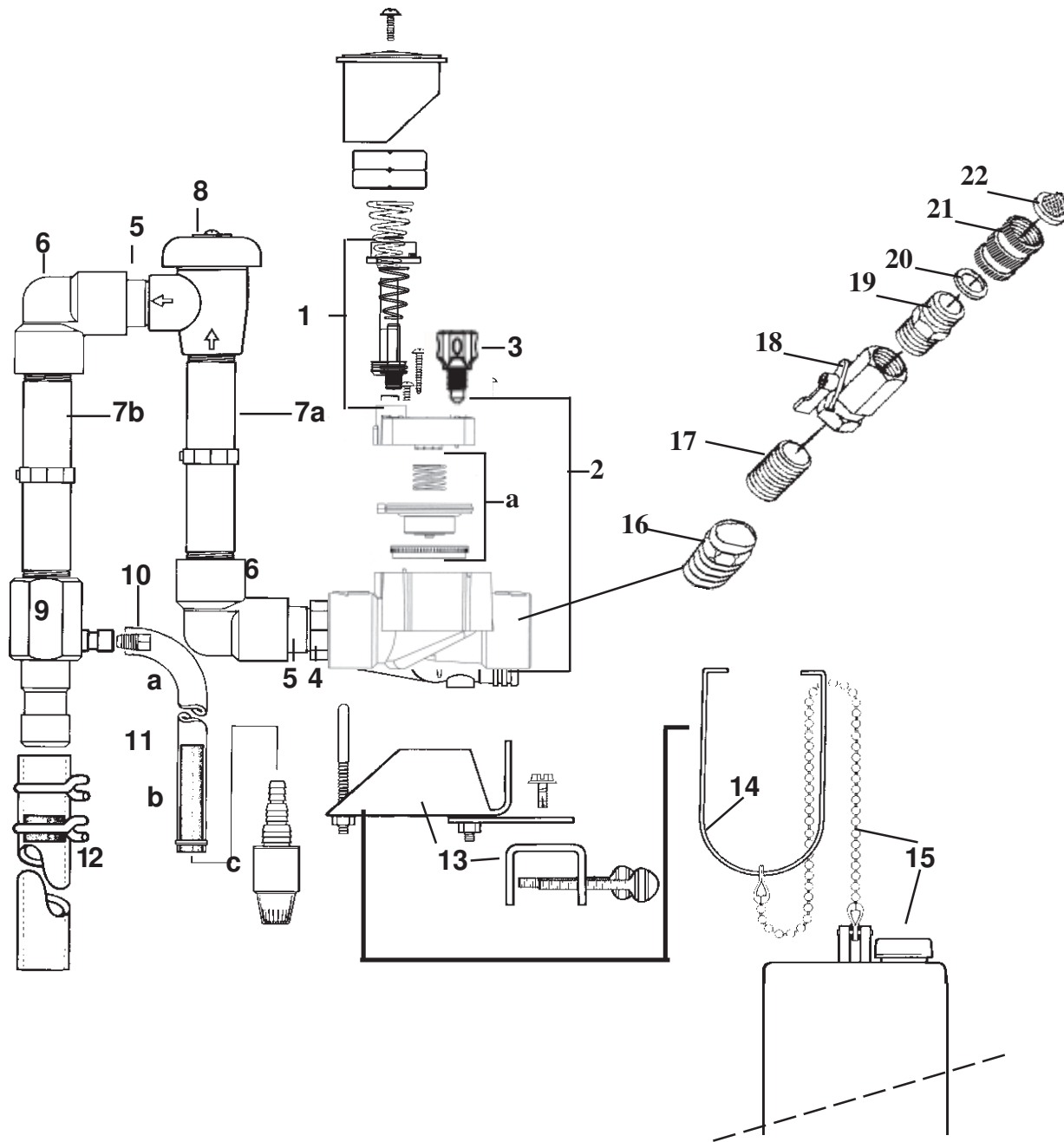
Dilution ratio, then, equals X parts water to one part concentrate (X:1). If the test does not yield the desired ratio, choose a different tip and repeat the test. Alternative methods to this test are 1) pH (using litmus paper), and 2) titration. Contact your concentrate supplier for further information on these alternative methods and the materials required to perform them.

**PROBLEM SOLVING:**

Problem	Cause	Remedy
1. No discharge	a. No water b. Defective magnetic valve assembly c. Excessive water pressure	a. Open water inlet valve b. Replace assembly c. Install regulator if pressure exceeds 6 Bar static
2. No concentrate draw	a. Clogged foot valve strainer b. Metering tip or eductor clogged c. Low water pressure d. Discharge tube or flooding ring not in place	a. Clean or replace b. Clean or replace* c. Minimum 1.8 Bar flowing required d. Reposition tube, or replace tube if flooding ring misplaced
3. Failure of unit to turn off	a. Valve parts dirty or defective b. Magnet not returning c. Clogged valve orifice d. Diaphragm stretched	a. Clean or replace* b. Free magnet/replace spring c. Clean or replace* d. Replace
4. Backflow into concentrate	a. Mixed solution being siphoned back into concentrate container	a. Replace foot valve

\* In hard water areas, scale may form at the discharge end of the eductor or valve orifice. Ensure that the pilot holes in the diaphragm are clear. Scale may be removed by soaking the scaled part in a descaling or deliming solution. Alternatively, the descaling solution may be educted through the unit, allowed to sit, then flushed prior to use of the unit with concentrate. Make sure descaling solution does not discharge into primary holding tank.

## HydroMinder Model 562GB Parts Diagram and List



Key	Part No.	Description	Key	Part No.	Description
1	10091907	actuator assembly	12	560330	discharge tube assembly
2	10091661	valve	13	10091668	bracket assembly
a	10091906	diaphragm replacement kit	14	560130	magnet yoke
3	10091902	bleed screw	15	5043-A	float & chain assembly
4	560180	bushing (3/4 x 1)	16	560180	bushing
5	560190	nipple (3/4 x 2 PVC)	17	508800	nipple
6	560210	elbow (3/4 PVC)	18	508700	ball valve
7 a	560220	nipple (3/4 x 6 PVC)	19	611500	adapter
b	560220	nipple (3/4 x 6 PVC)	20	270700	washer
8	507600	siphon breaker	21	607900	hose swivel
9	5083-K	eductor (16 GPM)	22	238100	strainer washer
10	690015	metering tip (kit)			
11	10031109	suction tube assembly			
a	505809	13mm x 2.75m tubing			
b	250006	weight			
c	10076305	foot valve, Viton			



---

**Hydro Systems Europe Ltd**

Unit 3 The Sterling Centre, Eastern Road, Bracknell, Berks RG12 2PW, England

Tel: +44 (0)1344 48 88 80

Fax: +44 (0)1344 48 88 79

[www.hydrossystemseurope.com](http://www.hydrossystemseurope.com)

**10091781**